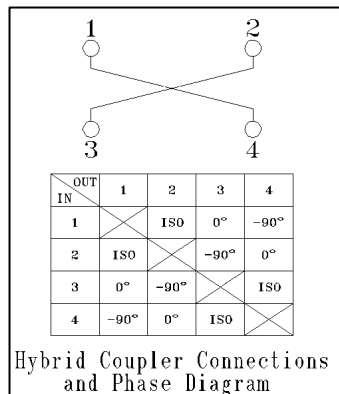


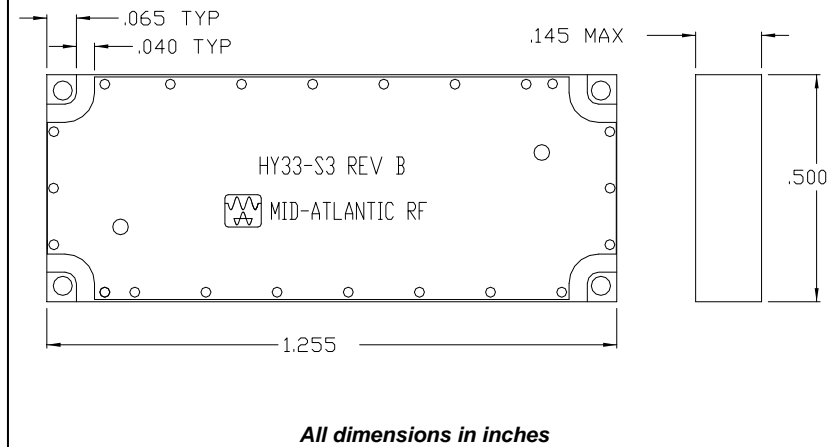
## HY33-S3 HYBRID COUPLER

### Features:

- Small Size
- High Performance
- Surface Mounted
- Custom Footprint
- Bulk Packaging only



### Outline Drawing



### Electrical Specifications:

<b>Frequency Range:</b>	225 to 451 MHz
<b>Insertion Loss:</b>	0.3 dB max, 0.16dB Typ
<b>Amplitude Balance:</b>	+/- 0.45 dB max
<b>Phase Balance:</b>	3 degrees Typ
<b>VSWR:</b>	<=1.2:1
<b>Power Handling:</b>	160 Watts CW Typ
<b>Isolation:</b>	22 dB

### Mechanical Specifications:

<b>Dimensions:</b>	1.255" x 0.500" x 0.145 max
<b>Mounting:</b>	Surface

### Environmental Specifications:

<b>Operating Temperature:</b>	-40°C to +125°C
-------------------------------	-----------------

