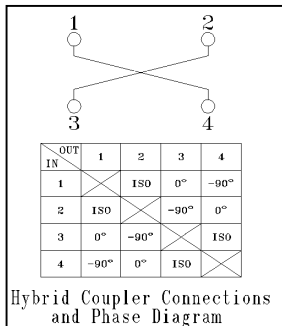


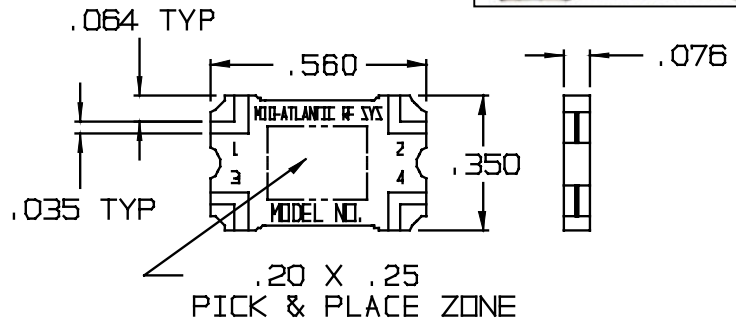
## HY185 HYBRID COUPLER

### Features:

- Small Size
- Custom Designs Available
- Surface Mounted
- Low Cost
- Available on Tape and Reel



### Outline Drawing



All dimensions in inches



### Electrical Specifications:

**Frequency Range:** 1700 to 2400 MHz

**Insertion Loss:** 0.15 dB max.

**Amplitude Balance:** +/- 0.3 dB

**Phase Balance:** 1.5 degrees

**VSWR:** 1.2:1

**Power Handling:** 100 Watts CW

**Isolation:** 30 dB

### Mechanical Specifications:

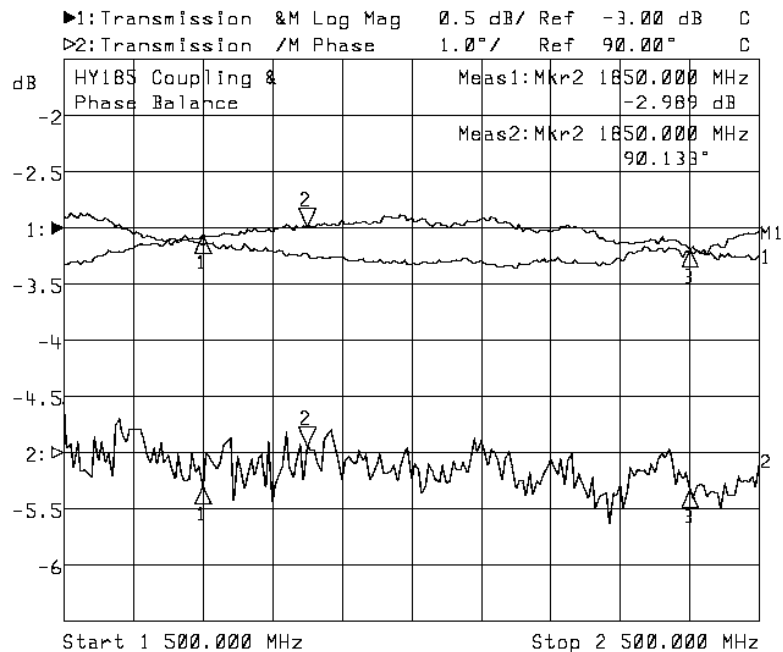
**Dimensions:** 0.350" x 0.560"

**Case Style:** A

**Mounting:** Surface

### Environmental Specifications:

**Operating Temperature:** -55°C to +90°C



1: Mkr (MHz)	dB	2: Mkr (MHz)	Deg
1: 1700.00	-3.061	1: 1700.00	89.397
2: 1850.00	-2.989	2: 1850.00	90.133
3: 2400.00	-3.186	3: 2400.00	89.359