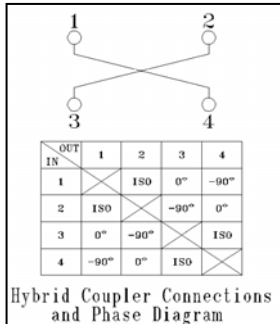


HY174 HYBRID COUPLER

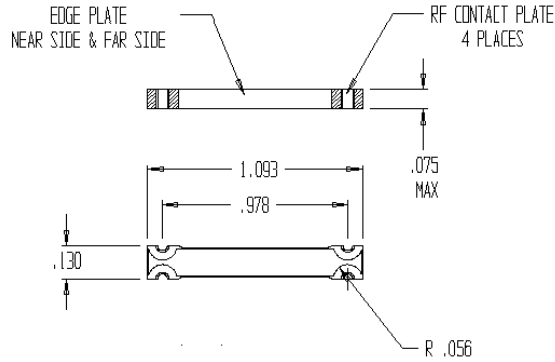


Features:

- Small Size
- Custom Designs Available
- Surface Mounted
- Low Cost
- Available on Tape and Reel



Outline Drawing



All dimensions in inches

Electrical Specifications:

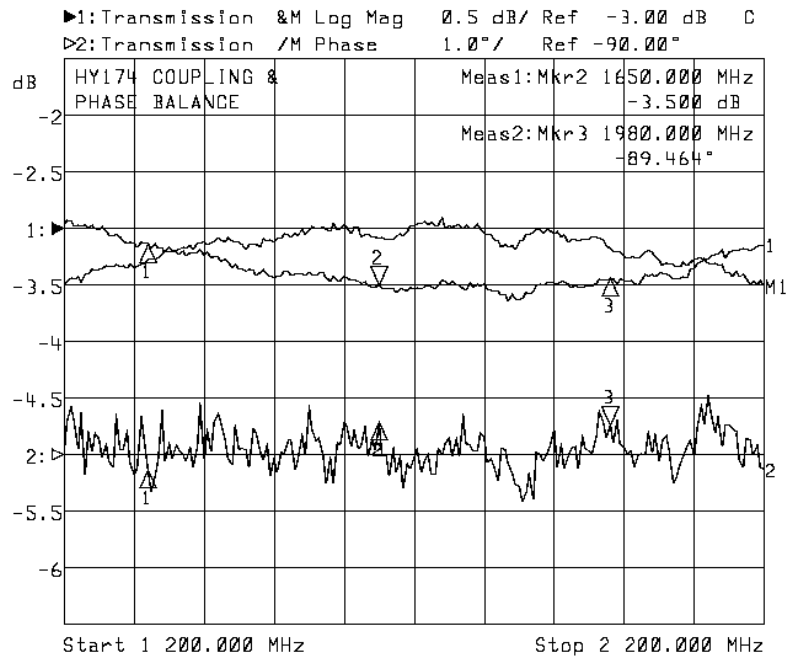
Frequency Range:	1320 to 1980 MHz
Insertion Loss:	0.2 dB max.
Amplitude Balance:	+/- 0.3 dB
Phase Balance:	2 degrees
VSWR:	1.2:1
Power Handling:	100 Watts CW
Isolation:	26 dB

Mechanical Specifications:

Dimensions:	1.09" x 0.130"
Case Style:	D
Mounting:	Surface

Environmental Specifications:

Operating Temperature:	-55°C to +90°C
-------------------------------	----------------



1: Mkr (MHz)	dB	2: Mkr (MHz)	Deg
1: 1320.00	-3.133	1: 1320.00	-90.268
2: 1650.00	-3.500	2: 1650.00	-89.431
3: 1980.00	-3.442	3: 1980.00	-89.464