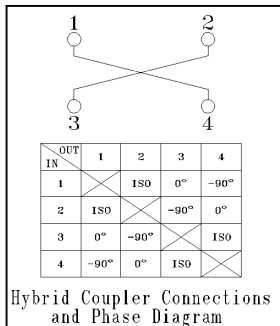


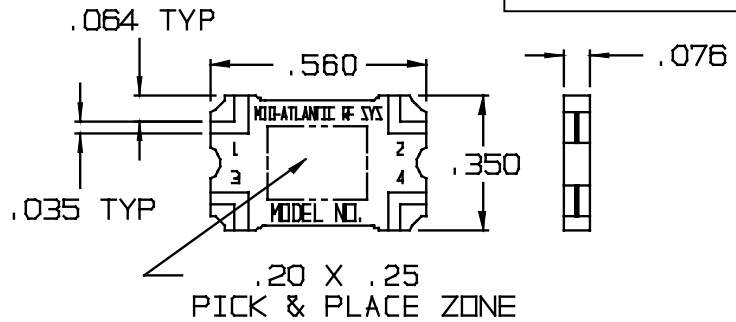
HY140 HYBRID COUPLER

Features:

- Small Size
- Custom Designs Available
- Surface Mounted
- Low Cost
- Available on Tape and Reel



Outline Drawing



All dimensions in inches



Electrical Specifications:

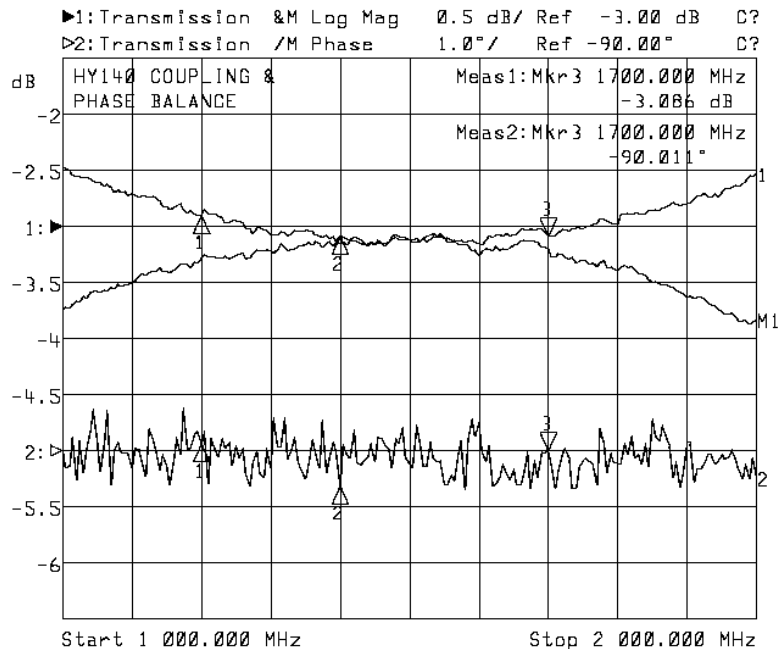
Frequency Range:	1200 to 1700 MHz
Insertion Loss:	0.15 dB max.
Amplitude Balance:	+/- 0.3 dB
Phase Balance:	1.5 degrees
VSWR:	1.2:1
Power Handling:	100 Watts CW
Isolation:	26 dB

Mechanical Specifications:

Dimensions:	0.350" x 0.560"
Case Style:	A
Mounting:	Surface

Environmental Specifications:

Operating Temperature:	-55°C to +90°C
-------------------------------	----------------



1: Mkr (MHz)	dB	2: Mkr (MHz)	Deg
1: 1200.00	-2.896	1: 1200.00	-89.867
2: 1400.00	-3.087	2: 1400.00	-90.615
3: 1700.00	-3.086	3: 1700.00	-90.011